

FOR INFORMATION ONLY
NOT FOR MANUFACTURING PURPOSES

DRAWING PROJECTION



THORLABS
www.thorlabs.com

	NAME	DATE
DRAWN	TB	23/JAN/15
APPROVAL	PC	28/JAN/15

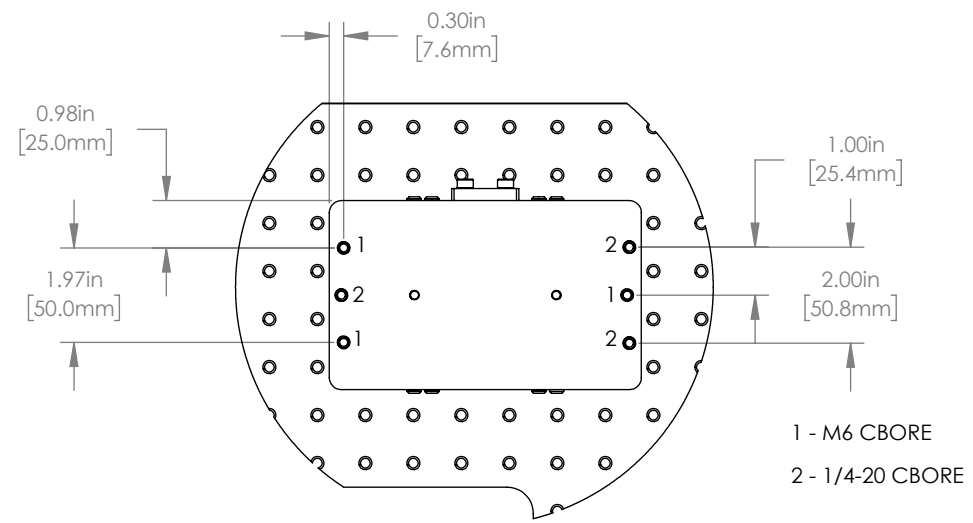
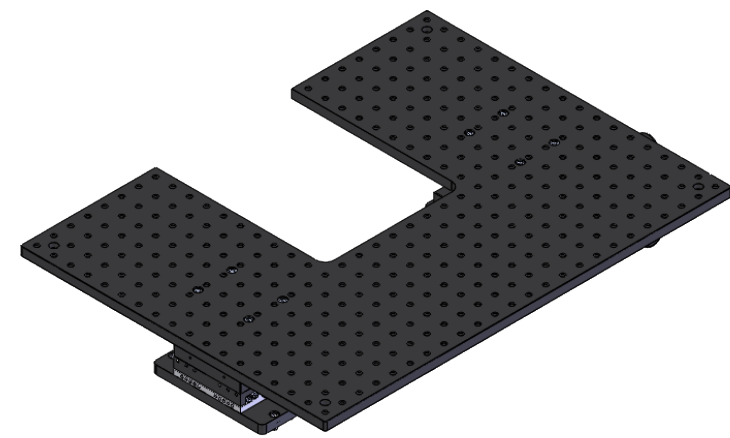
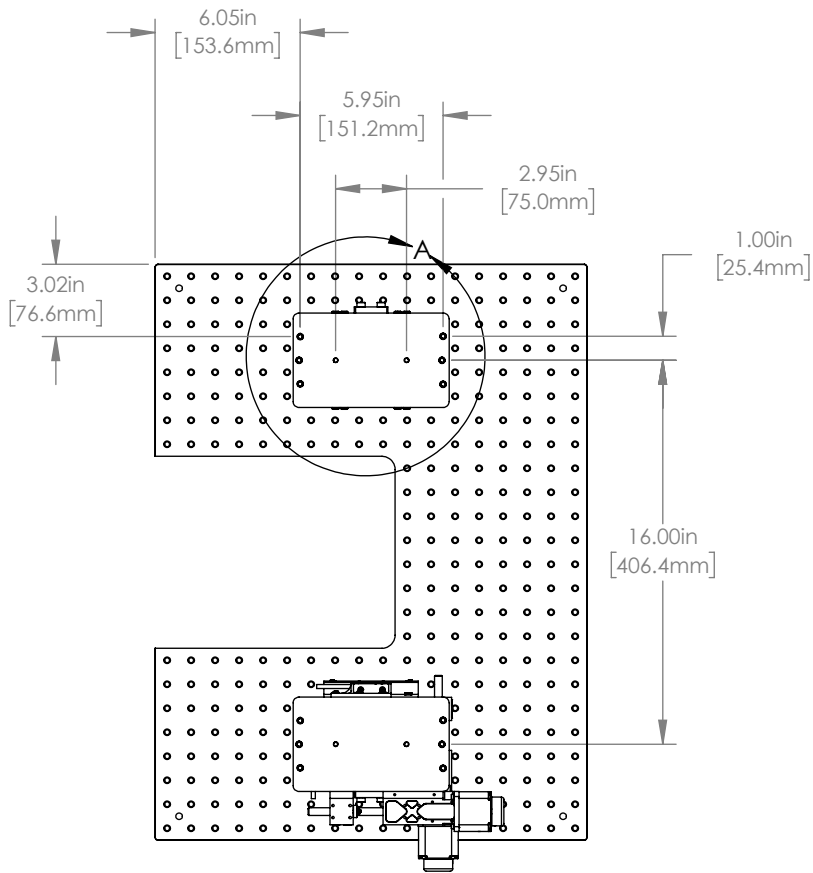
XY MANIPULATOR PLATFORM

MATERIAL N/A REV A

COPYRIGHT © 2015 BY THORLABS

ITEM # PMP-2XY APPROX WEIGHT 22.7 kg

VALUES IN PARENTHESIS ARE CALCULATED AND MAY CONTAIN ROUND OFF ERRORS



DETAIL A
 SCALE 1 : 4

NOTE:
 CONFIGURATION FOR METRIC AND STANDARD TABLE MOUNTING IS THE SAME FOR BOTH PLATES

FOR INFORMATION ONLY
 NOT FOR MANUFACTURING PURPOSES

DRAWING PROJECTION			THORLABS www.thorlabs.com	
NAME	DATE	XY MANIPULATOR PLATFORM		
DRAWN TB	23/JAN/15	MATERIAL	N/A	REV A
APPROVAL PC	28/JAN/15	ITEM #	PMP-2XY	APPROX WEIGHT 22.7 kg
COPYRIGHT © 2015 BY THORLABS				
VALUES IN PARENTHESIS ARE CALCULATED AND MAY CONTAIN ROUND OFF ERRORS				